
**VILLAGE OF SUGAR GROVE
BOARD REPORT**

TO: VILLAGE PRESIDENT & BOARD OF TRUSTEES
FROM: ANTHONY SPECIALE, DIRECTOR OF PUBLIC WORKS
BRAD MERKEL, PUBLIC UTILITIES SUPERVISOR
SUBJECT: APPROVAL: PURCHASE OF 2 PORTABLE MESSAGE BOARDS
AGENDA: JULY 2, 2019 REGULAR BOARD MEETING
DATE: JUNE 26, 2018

ISSUE

Should the Village Board approve the purchase of a 2 Portable Message Boards.

DISCUSSION

The FYE 2019 budget included funds to purchase a 2 Portable Message Boards. The message boards would be used during water main breaks, special events, construction projects and other Village notifications as needed. Some of the features included on the folding message board are touch screen controller, GPS receiver, cellular transceiver and free cellular service for the life of the board allowing remote programming of the sign. Staff obtained 2 quotes from vendors, below is a breakdown of pricing including delivery.

<u>Vendor</u>	<u>Price</u>
Dana Safety Supply Inc.	\$32,738.00
Traffic Control & Protection Inc.	\$35,840.00

COST

The cost of the 2 Portable Message Boards is \$32,738.00. The purchase would be made from the Public Utilities Fund, account number 50-59-6500: General Equipment which has \$30,000.00 budgeted for this replacement.

RECOMMENDATION

That the Village Board waives the bidding process and approve **Resolution # 20190702PW4** authorizing the purchase of 2 Portable Message Boards in the not to exceed amount of \$32,738.00 from Dana Safety Supply Inc.



RESOLUTION NO. 20190702PW4

VILLAGE OF SUGAR GROVE, KANE COUNTY, ILLINOIS

RESOLUTION AUTHORIZING PURCHASE OF TWO PORTABLE MESSAGE BOARDS.

WHEREAS, the Village of Sugar Grove Board of Trustees find that it is in the best interest of the Village to engage the services of Dana Safety Supply Inc. for the purchase of two portable message boards,

NOW, THEREFORE, BE IT RESOLVED by the President and Board of Trustees of the Village of Sugar Grove, Kane County, Illinois, as follows:

The Director of Public Works and/or his assigned are hereby authorized to execute a contract for purchase on behalf of the Village and to take such further actions as are necessary to fulfill the terms of said contract with Dana Safety Supply Inc. for the purchase of two portable message boards.

Passed by the President and Board of Trustees of the Village of Sugar Grove, Kane County, Illinois, at a regular meeting thereof held on the 2nd day of July, 2019.

 President of the Board of Trustees
 of the Village of Sugar Grove, Kane
 County, Illinois

ATTEST: _____
 Clerk, Village of Sugar Grove

	Aye	Nay	Absent	Abstain
Trustee Sean Herron	_____	_____	_____	_____
Trustee Rick Montalto	_____	_____	_____	_____
Trustee Ted Koch	_____	_____	_____	_____
Trustee Jennifer Konen	_____	_____	_____	_____
Trustee Heidi Lendi	_____	_____	_____	_____
Trustee Ryan Walter	_____	_____	_____	_____
President P. Sean Michels	_____	_____	_____	_____



Silent Messenger III Message Board Mid-Sized

USES AND ADVANTAGES

The "Silent Messenger III" mid-sized message board is a truly reliable workhorse. A 27 x 48 pixel full matrix LED display on a sturdy steel trailer is powered by both solar panels and batteries.

Display sign panel measures 78" wide by 46" high, giving a clean crisp readable message. Available in either a foldable or a Lift and Rotate trailer. Includes GPS receiver, cellular transceiver, and **FREE lifetime cellular service** for use with SolarTech's Command Center software.



REMOTE CONTROL & GPS TRACKING!

Command Center software allows you to track your equipment using the built-in cellular transceiver and GPS system.

Access units from a map or list. Control units individually or broadcast to a group.

Manage your fleet from your laptop, pc or smartphone... without leaving your desk!

You can build a message library, share messages between boards, schedule messages and more.

Get automatic email notifications when a message changes, if the battery voltage is low, if a pixel or module fails, or the unit moves.

Keep tabs on your whole fleet. No more misplaced equipment... fewer problems... less downtime!



EASY-TO-USE CONTROLLER

The touch-screen controller needs no manual - it's that easy to use! Includes:

- GPS receiver, cellular transceiver and free cellular service for the life of the board
- Password protection
- Intuitive icons for ease of use
- Scheduling capability
- Fully networkable
- NTCIP version 2 compatible
- Automatic software upgrades



Lift and Rotate
Model MB3-LR



Trailer Mounted
Model MB3

Silent Messenger III Message Board



MB III lowered and folded compactly for transport.

DISPLAY PANELS

Panel Size	78" x 46" (198 cm x 117 cm)
Pixel Size	1.50" x 1.50" (38 mm)
Character Height	7.5" to 39" (19 cm to 99 cm)
Matrix Size	27 x 48 pixels
Panel Construction	All aluminum, modular
Panel Face	3/16" polycarbonate, non-glare
Characters per Line	Up to twelve (12)
Number of Lines	Up to four (4)
Number of Fonts	Twelve (12)
Graphics Capability	Full matrix with full animation
Display Technology	LED (amber, 592 mm)
Display Brightness	>10,000 cd/m2 (candela per sq. meter)
Viewing Angle	>30°

TRAILER

	Standard Trailer	Lift & Rotate Trailer
Length Overall (in use)	112" (284 cm)	108" (274 cm)
Length Overall (towing)	112" (284 cm)	152" (386 cm)
Width Overall	92" (234 cm)	77" (196 cm)
Width Across Fenders	75" (190 cm)	77" (196 cm)
Height Traveling	92" (234 cm)	101" (257 cm)
Ground Clearance	13" (33 cm)	13" (33 cm)
Height Operating	142" (360 cm)	142" (360 cm)
Weight	1,360 lbs (617 kg)	1,800 lbs. (816 kg) approx.
Coupler	2" (50 mm) ball or 2.5" (64 mm) pintle ring	2" (50 mm) ball or 3" (76 mm) pintle ring
Lifting Mechanism	1,000 lb. automatic brake, winch and cable	1,000 lb. electric linear actuator
Axle/Suspension	Torq flex, independent	Torq flex, independent

MEGA-TECH CONTROL CONSOLE

Console Circuitry	Ultra-low power solid state
Console Touchscreen	Waterproof, backlit, full-color GUI, intuitive icon-driven, multi-lingual: five international languages
Programming Software	Proprietary, field upgradable
Message Capacity	Pre-programmed and user-programmed: > 250 each
Time-Date Control	Real-time clock/calendar (365 day)
Message Display Time	User-selectable (0.1 to 99 seconds)
Display Update Time	Instantaneous
Non-Volatile Memory	4 GB Micro SD card
Password Protection	User-selectable, multi-level
Operator Interface	Easy-to-use icons (no manual required)
Connectivity	Networkable (wired or wireless) and NTCIP compatible (Ethernet & RS-232)
Remote Control	Embedded cellular transceiver with free lifetime cellular service and fleet management software included
GPS	Integrated GPS receiver

ENERGY SOURCE

Operating Voltage	12 volts DC (nominal)
Battery Type	6 volt heavy duty, deep cycle (GC-2)
Number of Batteries	Two standard lead acid (flooded)
Battery Bank Capacity	260 amp hours
Battery Status Indicator	Displays battery voltage, charging activity and low battery condition
Battery Security	Anti-theft steel battery frame bolted to trailer
Solar Construction	Top-mounted solar panels in aluminum frame
Solar Power Output	Standard 160 watt (nominal)
Solar Charge Controller	Automatic, temperature compensated
Auxiliary Battery Charger	45 Amp, 120 volt AC

OPTIONS AND UPGRADES

UPGRADES - for Lift and Rotate Trailer only

Tilt and Rotate Solar Arrays:
• 160 watt • 240 watt • 320 watt

SOLAR ARRAY UPGRADES - both trailers

Fixed Solar Arrays: • 240 watt • 320 watt

BATTERY UPGRADES

Type	Number	Capacity
Lead-Acid (flooded)	Four (4)	520 amp hour
	Six (6)	780 amp hour
	Eight (8)	1040 amp hour
Gel Cell or AGM (maintenance free)	Two (2)	260 amp hour
	Four (4)	520 amp hour
	Six (6)	780 amp hour
	Eight (8)	1040 amp hour

BATTERY CHARGER UPGRADE

• 90 amp - 120 volt AC

BRAKE OPTIONS

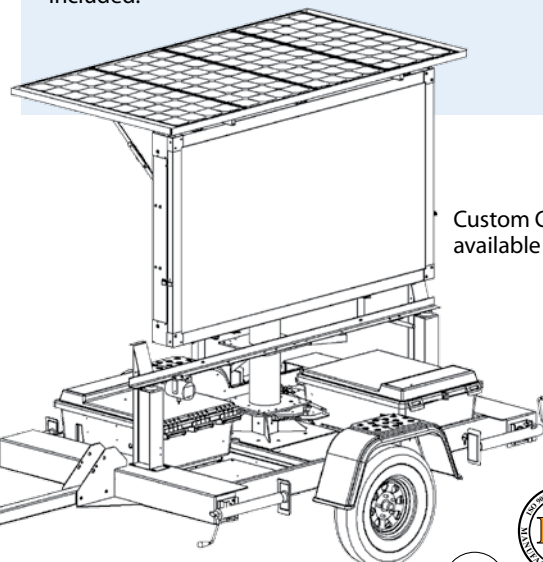
Hydraulic surge brakes (5,000 lb. capacity) or Electric brakes

SECURITY OPTION

Vandal-Proof Battery Box reinforced steel cage

RADAR OPTIONS

Directional doppler K-Band, user-configured KPH or MPH. Data collection and statistical analysis package is included.



Custom Colors available



SOLAR TECHNOLOGY, INC.
7620 Cetronia Rd. Allentown, PA 18106
Phone: 800-475-5442 or 610-391-8600

www.solartechnology.com



Made in the USA



Sales Quote

DANA SAFETY SUPPLY, INC
4809 KOGER BLVD
GREENSBORO, NC 27407

Telephone: 800-845-0405

Sales Quote No.	293648
Customer No.	MISC

Bill To

VILLAGE OF SUGAR GROVE

Ship To

Contact:
Telephone:
E-mail:

Contact:
Telephone:
E-mail:

Quote Date	Ship Via	F.O.B.	Customer PO Number	Payment Method	
06/25/19	GROUND	QUOTED FREIGHT		NET 30	
Entered By	Salesperson	Ordered By	Resale Number		
David Lyle	David Lyle-Pearl				
Order Quantity	Approve Quantity	Tax	Item Number / Description	Unit Price	Extended Price
2	2	Y	SILENT MS 2-3LR MBIII Standard 54" x 92" Case 27 x 48 Pixel Warehouse: DROP Vin #: SOLAR PWR FULL MATRIX PCMSMBIII Standard 46" x 78" Case 27 x 48 Pixel 160 Watt Solar Array Default Font Power Miser MB3 - 4 Standard Batteries 46"x78" Displays Only Battery Charger 45amp 115VAC 50/60 Hz 2" Ball Couple /TSCDA-L-US US CommandCtr Lifetime Servicer Approved By: _____ <input type="checkbox"/> Approve All Items & Quantities Quote Good for 30 Days	15,769.0000	31,538.00

Print Date	06/25/19
Print Time	10:44:46 AM
Page No.	1

Subtotal	31,538.00
Freight	1,200.00
Order Total	32,738.00

Printed By: David Lyle